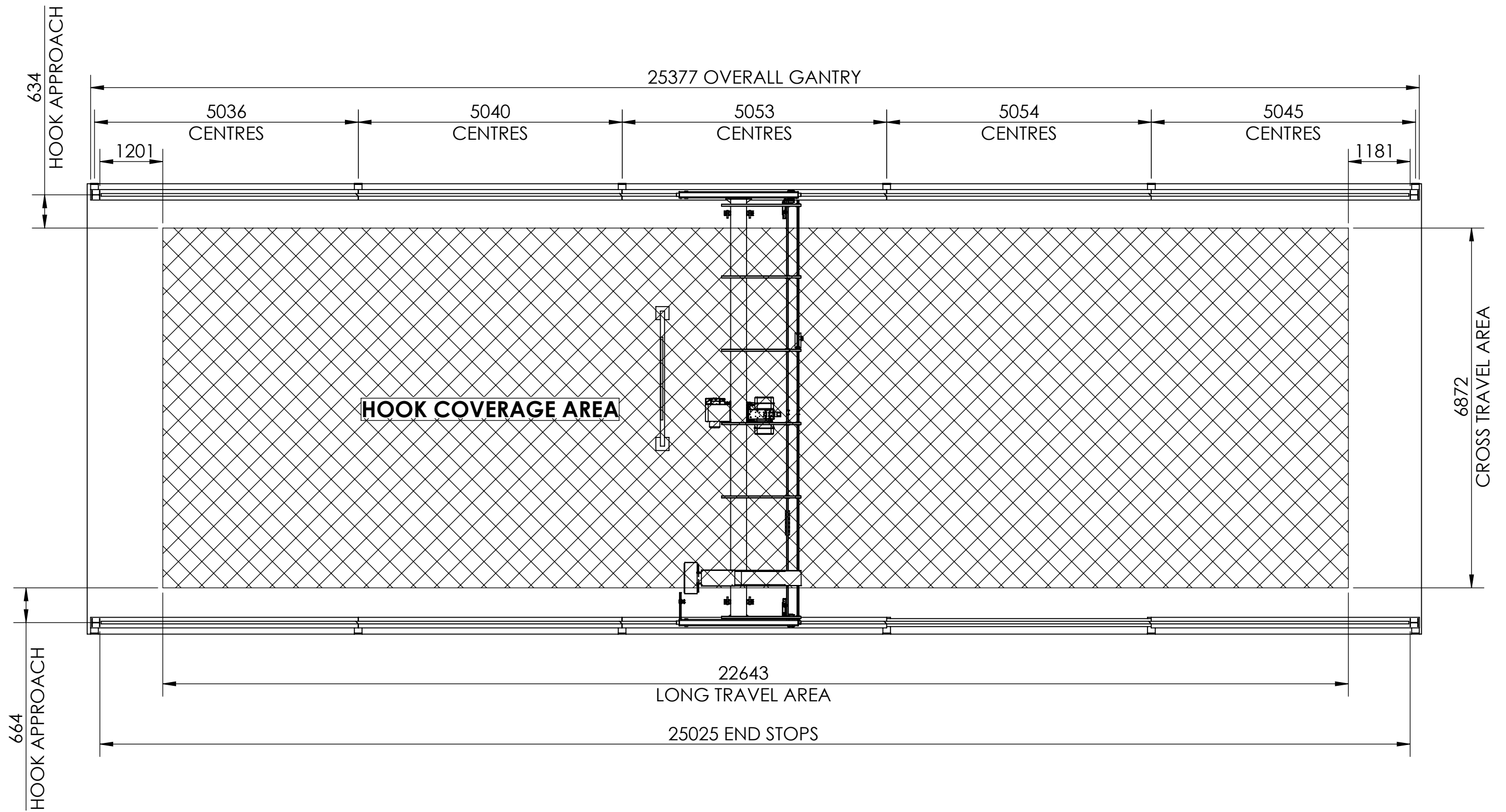
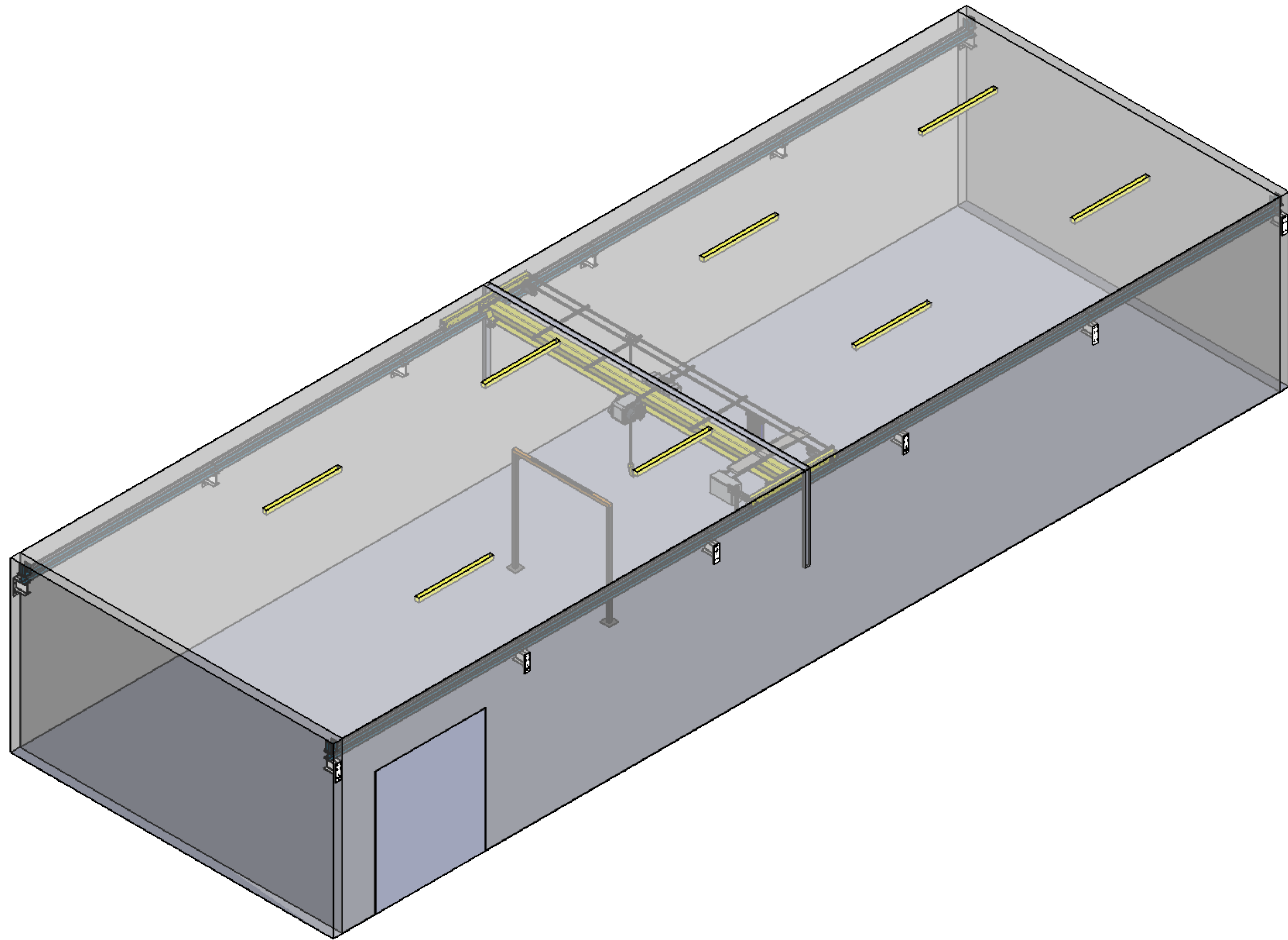


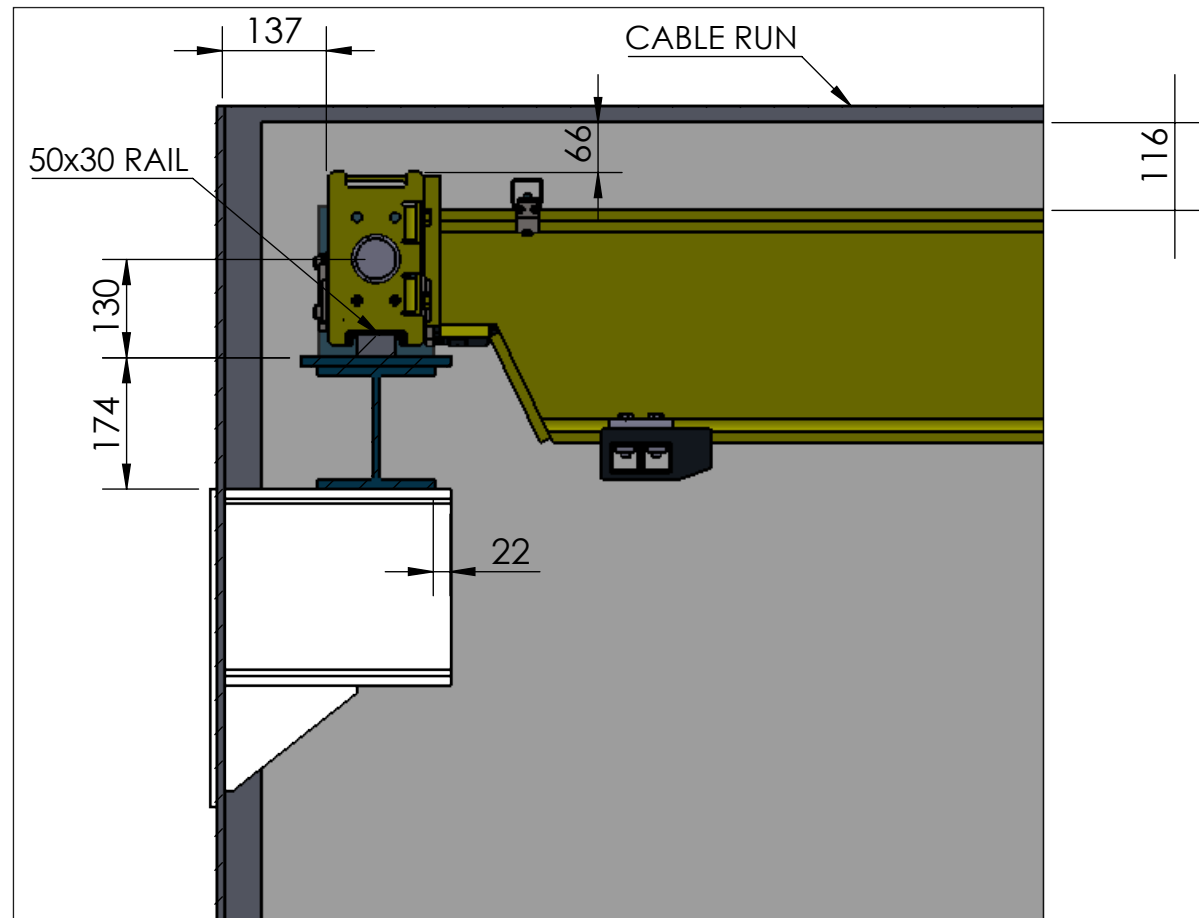
| Rev | Description | Date | Approved | Granada Cranes & Handling | | Scale: | Material: | Checked: | Title: | Issue: |
|-----|-----------------|------------|----------|--|--|---|-----------|----------------|----------------------------|----------------------|
| A | INITIAL RELEASE | 03/04/2023 | GW | Parsonage Street, Oldbury West Midlands, B69 4PH Tel: 0121 552 4503 Email: info@granada-cranes.co.uk www.granada-cranes.co.uk <small>Granada Cranes & Handling is a division of Granada Material Handling Ltd</small> | |  1:30 | N/A | Granada Cranes | FRONT VIEW | A |
| | | | |  | | | | | Customer: EVENT HORIZON | Job Number: 54260 |



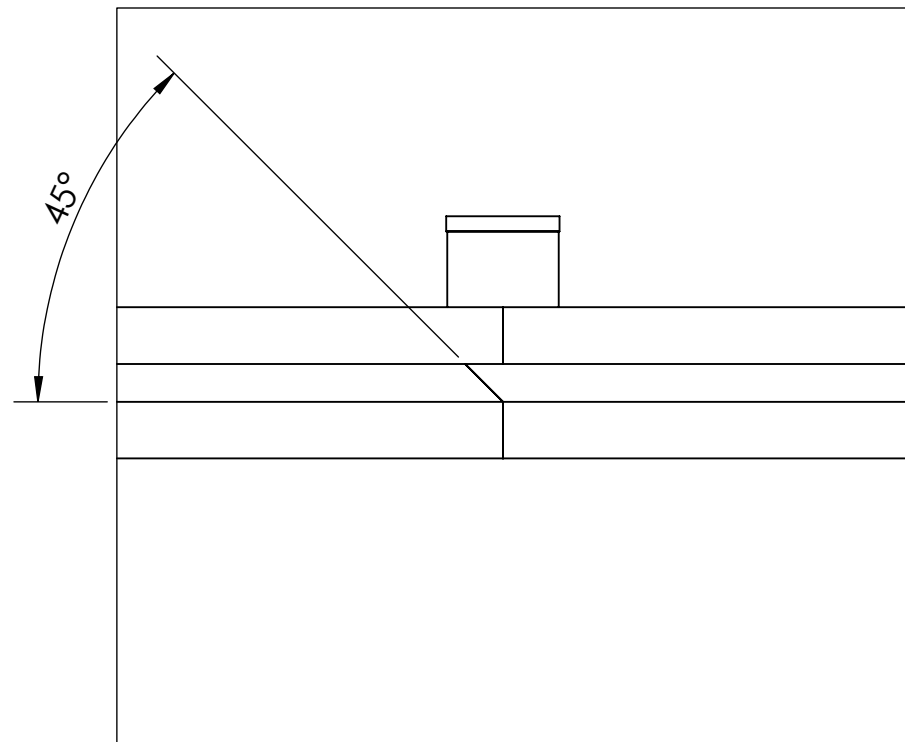
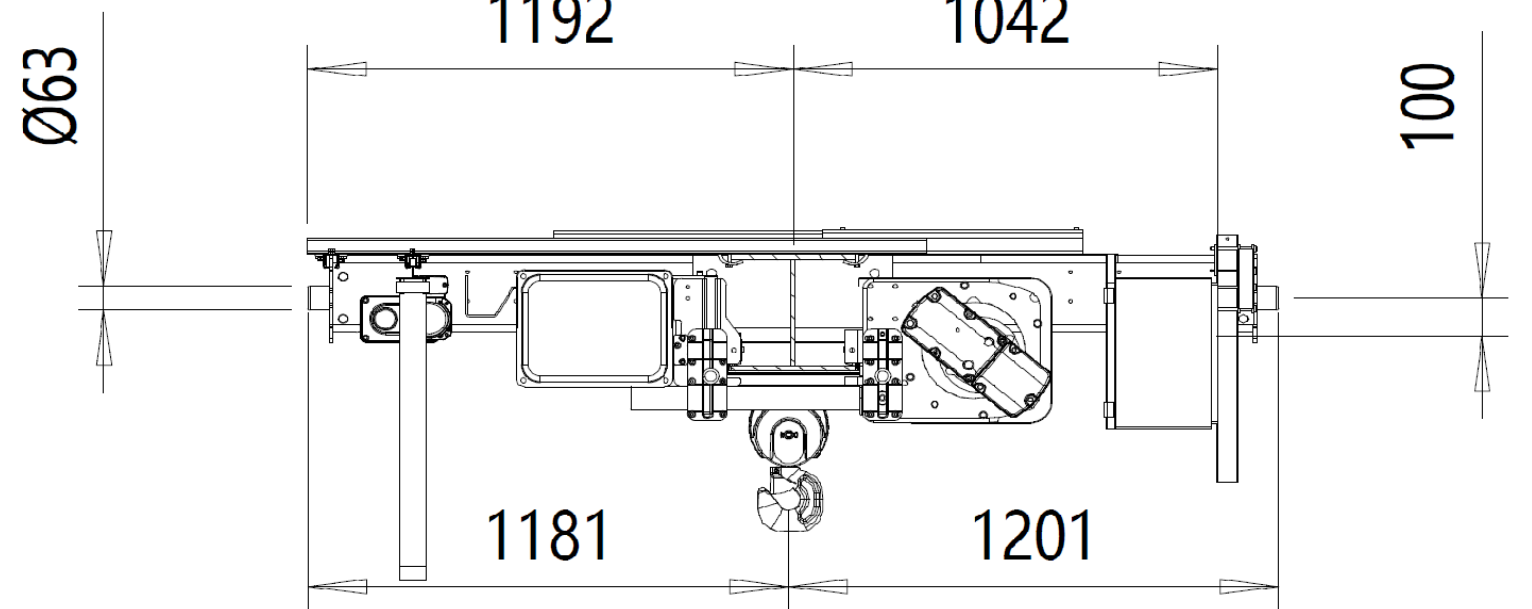
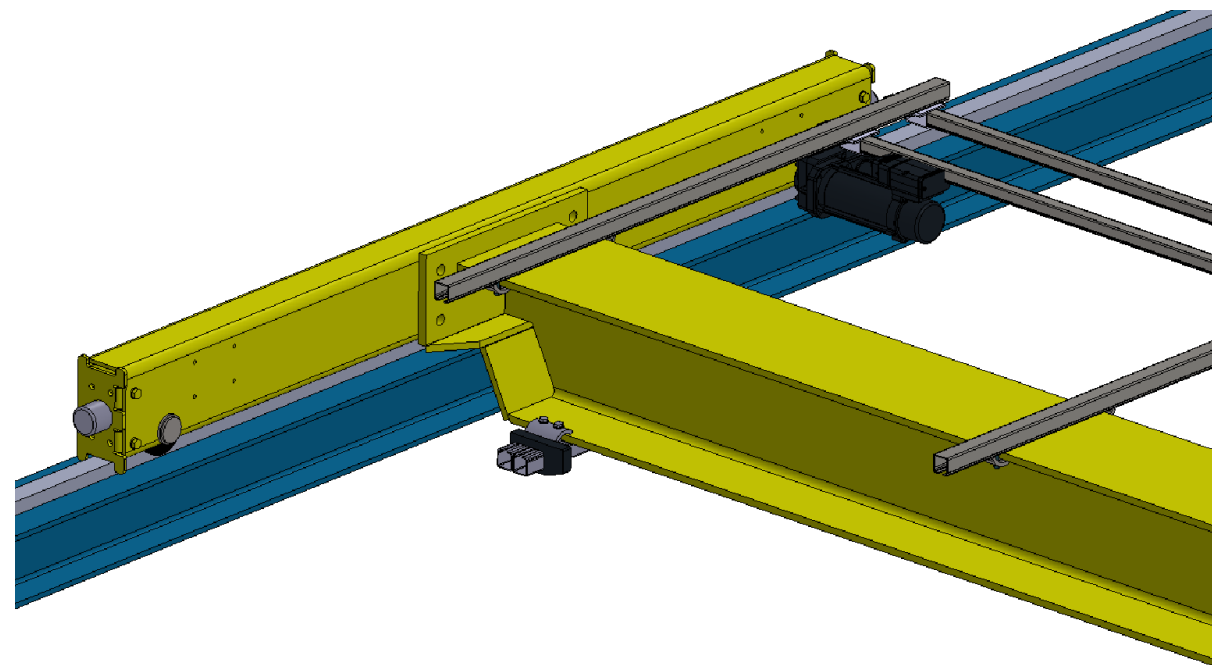
| Rev | Description | Date | Approved | Granada Cranes & Handling Parsonage Street, Oldbury West Midlands, B69 4PH Tel: 0121 552 4503 Email: info@granada-cranes.co.uk www.granada-cranes.co.uk <small>Granada Cranes & Handling is a division of Granada Material Handling Ltd</small> | | Scale: | Material: | Title: | Issue: |
|-----|-----------------|------------|----------|---|---|----------|----------------|---------------|-------------|
| A | INITIAL RELEASE | 03/04/2023 | |  |  | Drawn: | Checked: | PLAN VIEW | A |
| | | | | | | G.Wallin | Granada Cranes | | |
| | | | | | | 1:75 | N/A | CUSTOMER: | Job Number: |
| | | | | | | | | EVENT HORIZON | 54260 |



| | | | | | | | | | |
|-----|-----------------|------------|----------|--|---|--|----------------|----------------|-------------|
| Rev | Description | Date | Approved | Granada Cranes & Handling Parsonage Street, Oldbury West Midlands, B69 4PH Tel: 0121 552 4503 Email: info@granada-cranes.co.uk www.granada-cranes.co.uk <small>Granada Cranes & Handling is a division of Granada Material Handling Ltd</small> |  | Drawn: | Checked: | Title: | Issue: |
| A | INITIAL RELEASE | 03/04/2023 | | | |  G.Wallin | Granada Cranes | ISOMETRIC VIEW | A |
| | | | | | | Scale: | Material: | Customer: | Job Number: |
| | | | | | 1:75 | N/A | EVENT HORIZON | 54260 | |



APPROACH DETAIL



CRANE RAIL JOIN DETAIL

TECHNICAL DATA

| | |
|------------------------|-------------------------|
| Span | : 8.27 m |
| Load | : 2t |
| Lifting height | : 3.66 m |
| Hoisting speed | : 6.3/1.1 m/min 2-speed |
| Traversing speed | : 20 m/min stepless |
| Travelling speed | : 32 m/min Stepless |
| Weight of trolley | : 220 kg |
| Weight of bridge | : 1260 kg |
| Crane group | : A5 |
| Hoist group | : ISO M6 |
| Crane drive group | : ISO M5 |
| Main / control voltage | : 400 / 48 V; 50 Hz |
| Supply power | : 4.26 kW |
| Length of runway | : 0 m |

| Rev | Description | Date | Approved |
|-----|-----------------|------------|----------|
| A | INITIAL RELEASE | 03/04/2023 | |

Granada Cranes & Handling
 Parsonage Street, Oldbury
 West Midlands, B69 4PH
 Tel: 0121 552 4503
 Email: info@granada-cranes.co.uk
 www.granada-cranes.co.uk
Granada Cranes & Handling is a division of Granada Material Handling Ltd



Scale: 1:75
 Drawn: G.Wallin
 Material: N/A

Checked: Granada Cranes

Title: FURTHER INFORMATION & TECHNICAL
 Customer: EVENT HORIZON

Issue: A
 Job Number: 54260